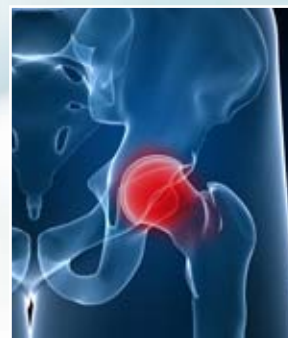




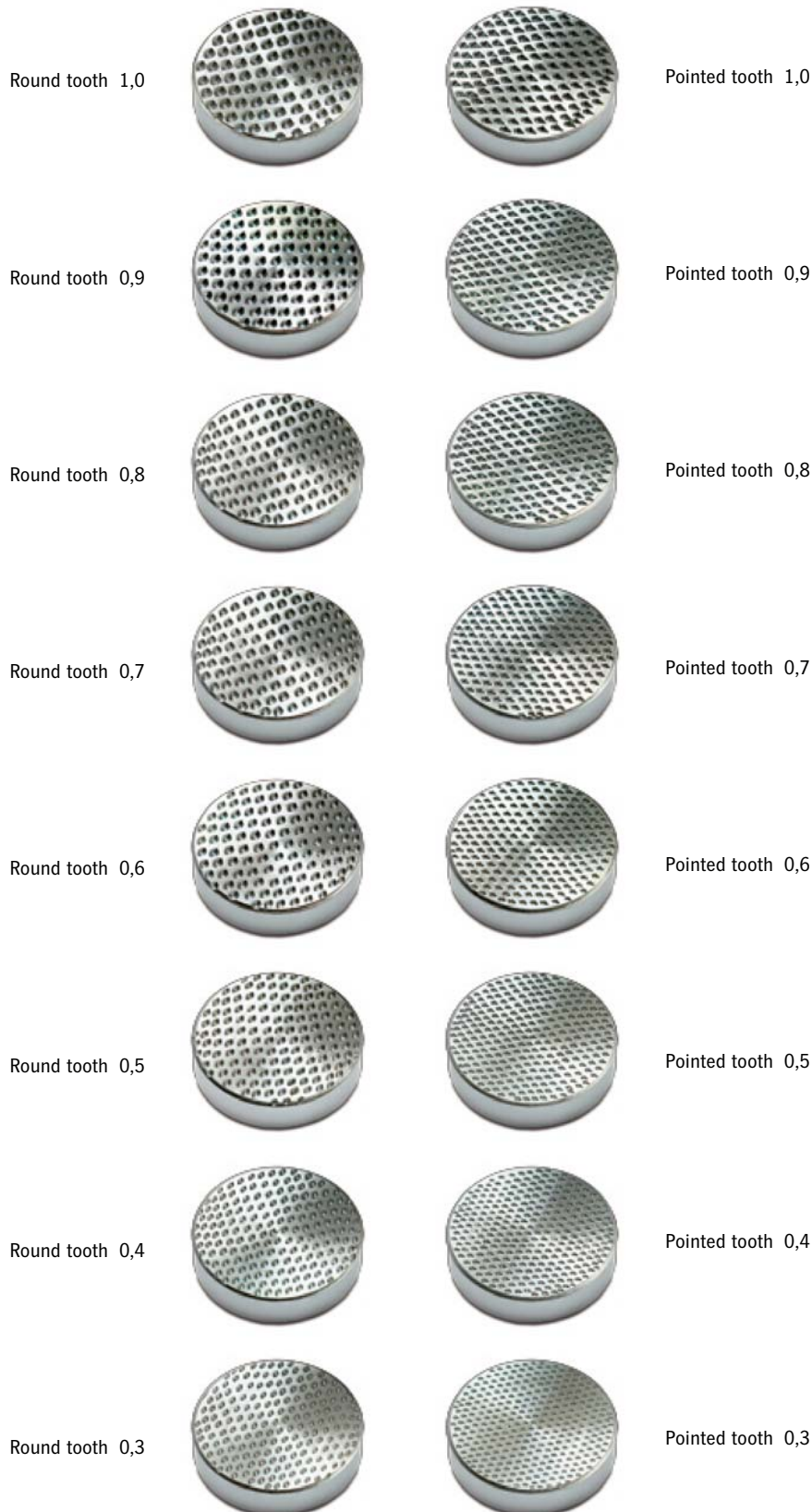
Toothing of rasps for the endoprosthetics



For more than 5 decades we are engaged in providing rasps for medical purposes by means of the traditional "Pointed tooth" and the "Round tooth" developed by us.

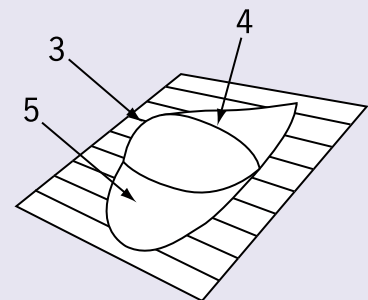


ZEIM-Scale of cuts



Round tooth

Root of this innovation is the shaping of the rasp teeth (3). These rasp teeth (3) are produced by a rounded chisel so that the rasp circular cut forms (4) of the rasp teeth (3) as well as the tooth pits (5) show a homogeneous circular arcprofile. Each of the rasp circular cut form (4) stand freely and raised and are placed wide apart from each other. Just when grating a closed working surface is produced, thus showing a great permeability.



By means of this tooth shape of the rasp teeth (3) the rasp becomes all in all less aggressive and can be extremely easily cleaned, especially since no corner is produced in the transition region between the tooth pits (5) and the rasp teeth (3), but merely a homogeneous rounded line.

The "Round tooth" improves the preparation of the prostheses bed in the medullary canal many times over.